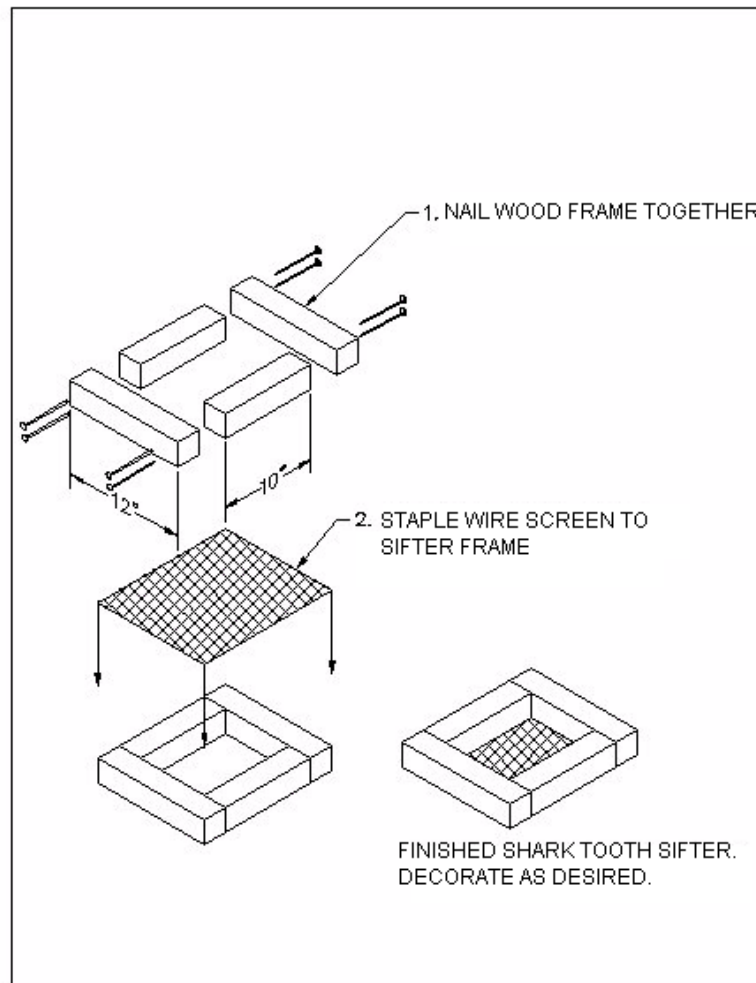


## Shark's Teeth Sifter

### Materials:

Four 1"x2" pieces of wood 12" in length. 8 nails, 13"x13" piece of aluminum screen with holes approximately 3/16" to 1/4" in size, 20 U-shaped nails or heavy staples.

Make the frame by creating a square with the four pieces of wood. Use two nails to connect each wood side to each other. Attach screen to one side of wooden frame and connect to frame using the U-shaped nails or by stapling it. Cut excess screen off the sides. You may need to add bracing to two of the opposite corners.



*An expert at anything was once a beginner.*